

1G Media Converter

1-Port 1G Media Converter – 1GBase-T to 1GBase-SX/LX (2 SFP Ports, LC, MM/SM)

CMC-GC2F-XXXX Series 1G Media Converter



RJ-45 to SFP or SFP to SFP

- ☑ Gigabit Ethernet Conversion
- ☑ Dual Interface Support
- ☑ Auto-Negotiation & MDI/MDI-X
- ☑ Advanced Network Performance
- ☑ Compact & Durable Design – Fanless metal
- ☑ Reliable Power & Protection
- ☑ Certified Safety & Compliance

INTRODUCTION

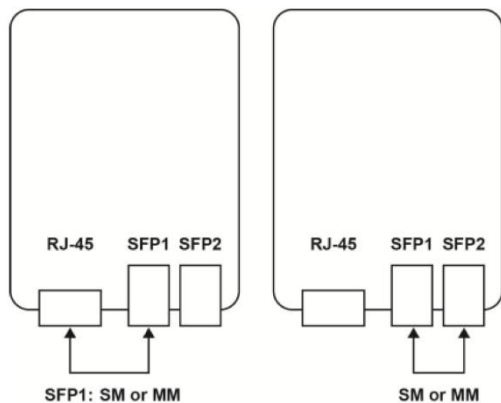
The CMC-GC2F Media Converter is a Gigabit Ethernet Media Converter that converts 1Gbps copper Ethernet to 1Gbps SX/LX fiber. It supports IEEE 802.3 standards, auto-negotiation, VLAN tagging, jumbo frames (up to 16KB), and Link Fault Pass-Through (LFP) for improved network reliability. Designed for flexibility, it features a fanless metal enclosure, low power consumption (3W), and multiple mounting options. With built-in surge and ESD protection, and CE, FCC, and UKCA certifications, the CMC-GC2F Gigabit Ethernet Media Converter ensures stable, high-speed connectivity in a wide range of environments.

PRODUCT SPECIFICATIONS

Interface	
10/100/1000Base-T(X) Ethernet TP Port	1
1Gbps SFP Slot (Support Multimode and Single Mode SFP Modules)	2
System Performance	
Packet Buffer	512Kb
MAC Address Entity	1K
Jumbo Frame	16KB
Switching Capacity	6Gbps
Forwarding Rate (64-byte)	4.464Mpps

Physical Characteristics			
Transmission Media		TP: 10/100/1000Base-T(X) CAT 5E, 6 or 6A, up to 100m 1000Base-SX: 62.5/125µm Multi Mode Fiber optic cable, up to 220m 50/125µm Multi Mode Fiber optic cable, up to 550m 1000Base-LX: 9/125µm Single Mode Fiber optic cable, up to 10Km	
Dimension (W x H x D)		75 x 23 x 102 mm	
LED	Power (Amber)	On	Power is On
	Copper Speed (Green)	On / Off	1Gbps / Under 1Gbps
	Copper Link/Act. (Green)	On / Flashing	Link / Transmitting
	SFP1 Link/Act. (Green)	On / Flashing	Link / Transmitting
	SFP2 Link/Act. (Green)	On / Flashing	Link / Transmitting
DIP Switch		1 DIP switch for enable/disable LFP (Link Fault Pass Through)	
Cooling		Fanless	
Enclosure		Metal	
Installation		Desktop / Wall Mount (Optional) / Chassis Install (Optional)	
Weight		≈ 201g	
Power Requirements			
Power Input		5 - 12V DC	
Power Input Connector		DC Jack (Φ2.5mm)	
Max. System Power Consumption		3 Watt	
Environment Limits			
Operating Temperature		0 ~ 50°C	
Storage Temperature		-20 ~ 80°C	
Operating Humidity		Max. 90% RH (Non-condensing)	
Certifications			
Electromagnetic Emissions (EMC)		CE, FCC, UKCA	
Safety		EN62368-1	
Protection			
ESD		DC Contact 4KV, Air 8KV	
Surge		AC Line to Line 1KV, Line to Ground 2KV	
Standard			
IEEE 802.3 – 10Base-T		●	
IEEE 802.3u – 100Base-TX		●	
IEEE 802.3ab – 1000Base-T		●	
IEEE 802.3z – 1000Base-SX/LX		●	

Application



Two Operating Mode:

- i. RJ-45 to SFP (SFP can be MM or SM)
- ii. SFP to SFP

PACKAGE CONTENTS

- 1 × 1G Media Converter Unit
- 1 × Power Adapter
- 1 × Quick Installation Guide
- 1 or 2 SFP Module, depending on Bundle Purchased

WARRANTY

- Standard 1-Year Limited Warranty, unless otherwise specified by Sales.
- Optional Advance Replacement Warranty is available upon request

ORDERING INFORMATION

Part Number	Descriptions
CMC-GC2F-XXXX	1G Media Converter, 1GBase-T(1) to 1GBase-X SFP(2), SFP Module not included.
CMC-GC2F-LC	1G Media Converter, 1GBase-T(1) to 1GBase-X SFP(2), with one LC MM SFP Module distance up to 220/550m
CMC-GC2F-LC10	1G Media Converter, 1GBase-T(1) to 1GBase-X SFP(2), with one LC SM SFP Module distance up to 10km
CMC-GC2F-MS10	1G Media Converter, 1GBase-T(1) to 1GBase-X SFP(2), with one LC MM SFP Module (220/550m) and one LC SM SFP Module (10km)
(OPTIONAL)	
CMC-GTFX-WMK	Wall Mount Kit for 1G Media Converter
CMC-CH16-RPS	16-Slot Media Converter Chassis with Redundant Power Supply

Note:

- Please specify the required power plug type when ordering.
- For RJ-45 to fiber and back to RJ-45 conversion, two media converter units are required.

CONTACT INFORMATION

For more information, please visit our website or contact our customer service team:

- **Website:** www.dsgio.com
- **Email:** sales.apac@dsgio.com

DISCLAIMER

DSGio shall not be liable for any damages, including punitive, consequential, or cost of cover damages, arising from any errors in the product information or specifications provided in this document. This document is subject to revision by DSGio at any time without prior notice.